



HOSHIZAKI

IM-100NE-HC

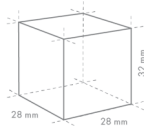
Cuber, Self Contained

Production Capacity (kg/24h) approx. (AT 10°C, WT 10°C): 105

Storage bin capacity (kg) approx.: 50



ICE TYPE: Large cubes, Standard



Cube Size: **L-STANDARD**
Weight: 23 g

ACCESSORIES INCLUDED

Scoop, installation kit

OPTIONAL ACCESSORIES

4HC-H water filtration

CORRESPONDING WATER FILTERS

4HC-H Single Water Filter, 4HC Replacement Cartridge

PRODUCT SERIES: IM
ITEM NUMBER: M036
COUNTRY OF ORIGIN: UK

Hoshizaki IM-100NE-HC is a self-contained ice maker producing up to 105 kg of cube ice per 24 hours.

Ice cube dimensions and weight - disclaimer: The drawing is for illustration purposes only. Cube size and weight may be differ due to local installation conditions.

- Ice making system with an automatic rinse cycle
- Each ice cycle is made with fresh water
- Closed Cell System helps produce compact, hard and geometrically perfect ice
- Closed water circuit for contamination protection
- Electronic controller
- System comes with a magnetic water pump that has no direct coupling, which prevents any leakage
- Cleanable air filter
- Removable door gasket

WARRANTY PERIOD

2 Years on Parts & Labour - based on country agreement

EXTERIOR

Stainless steel AISI 430, Galvanized steel (Rear)

Refrigerant: R290 / Refrigerant (kg): 0.14 / CO2 equivalent (kg): 0.42

OPERATING CONDITIONS

Ambient Temp.: 1-40°C, Water Supply Temp.: 5-35°C, Water Supply Pressure: 0.07-0.8MPa (0.7-8bar), Voltage Range: Rated Voltage ±6%

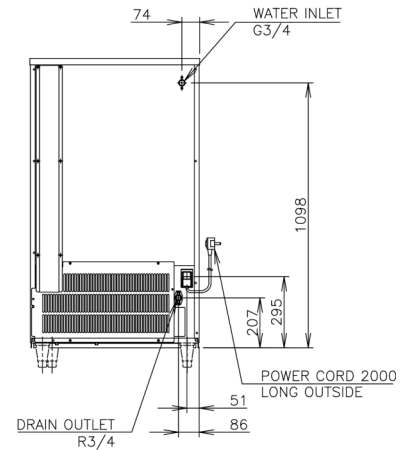
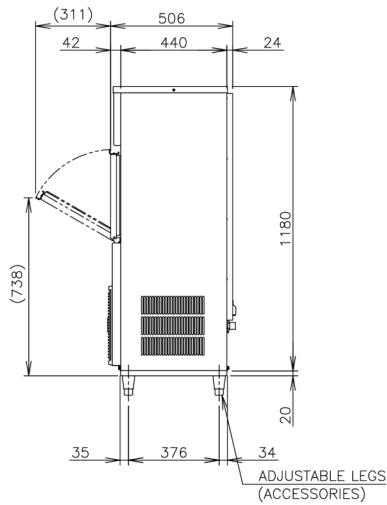
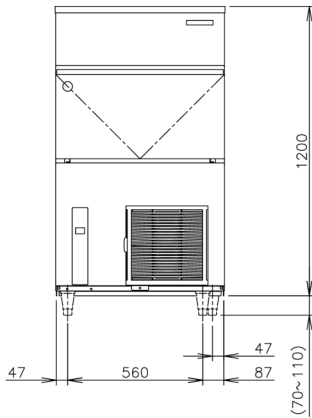
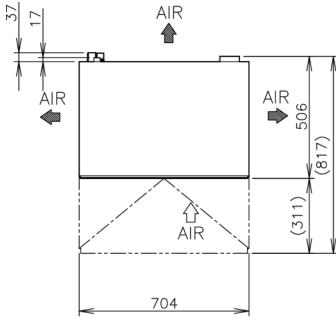
CERTIFICATIONS





HOSHIZAKI

IM-100NE-HC



TECHNICAL SPECIFICATIONS

| Cooling System | Production Capacity (kg/24h) approx. (AT 10°C, WT 10°C) | Production Capacity (kg/24h) approx. (AT 21°C WT 15°C) | Production Capacity (kg/24h) approx. (AT 32°C WT 21°C) | Power Supply | Electrical Circuit Breaker Protection (A) | Electric Consumption (kW) | Water Consumption (m ³ /24h) approx. (AT 10°C WT 10°C) | Heat Rejection (AT 32°C, WT 21°C) (kW) |
|----------------|---|--|--|-------------------|---|---------------------------|---|--|
| Air Cooled | 105 | 95 | 86 | 1/220 - 240V/50Hz | 5 | 0.56 | 0.47 | 1.18 |

SHIPPING SPECIFICATIONS

| Dimensions W x D x H (mm), legs excluded | Dimensions of Legs (mm) | Net Weight (kg) | Dimensions, Packed, W x D x H (mm) | Gross Weight, Packed (kg) | Volume Packed (m ³) |
|--|-------------------------|-----------------|------------------------------------|---------------------------|---------------------------------|
| 704 x 506 x 1200 | for legs add 70-110mm | 76 | 805 x 580 x 1375 | 84 | 0.64 |

Disclaimer: Every effort has been made to ensure that the information contained in this spec sheet is accurate at the time of publishing. Hoshizaki Europe BV assumes no responsibility or liability for typographical errors or omissions or for any misinterpretation of the information within the publication and reserves the right to change without notice.



HOSHIZAKI

Hoshizaki Belgium
 Hoshizaki Danmark
 Hoshizaki Deutschland
 Hoshizaki France
 Hoshizaki Iberia
 Hoshizaki Italia
 Hoshizaki Middle East

info@hoshizaki.be
info@hoshizaki.dk
vertrieb@hoshizaki.de
info@hoshizaki.fr
info@hoshizaki.es
commerciale@hoshizaki.it
sales.ex@hoshizaki-europe.com

Hoshizaki Netherlands info@hoshizaki.nl
 Hoshizaki Norge salg@hoshizaki.no
 Hoshizaki Sverige orderSE@hoshizaki.dk
 Hoshizaki UK uksales@hoshizaki.uk
 Export countries sales.ex@hoshizaki-europe.com
 Other countries sales.ex@hoshizaki-europe.com

www.hoshizaki-europe.com